

# VISCOUNT TOP PAIL RANGE



Manufactured from quality food grade polymers, the Top Pail range provides industrial strength security for contents as diverse as bulk catering products, chemicals and adhesives.

In fact, everything about the Top Pail range demonstrates security. The lid is opened by removing a special tear strip, giving tamper resistance and evidence of unauthorised opening. Once opened, the lid can be securely resealed by hand. The lid also provides an interlock for more secure stacking during transport and storage.

Features include plastic or steel handles on request, up to four colour offset printing of the pail, and a range of lid colours.



**Auckland**  
8 Vestey Drive,  
Mt Wellington  
PO Box 22462, Otahuhu  
Auckland, New Zealand  
Tel: +64 9 276 8679  
Fax: +64 9 276 4392

**Wellington**  
Level 2, 46-50  
Bloomfield Terrace  
PO Box 30238, Lower Hutt,  
Wellington, New Zealand  
Tel: +64 4 570 3328  
Fax: +64 4 570 3329

**Christchurch**  
Cnr Brougham &  
Gasson Streets  
PO Box 7111,  
Christchurch, New Zealand  
Tel: +64 3 365 4382  
Fax: +64 3 366 6026

TOP PAIL RANGE

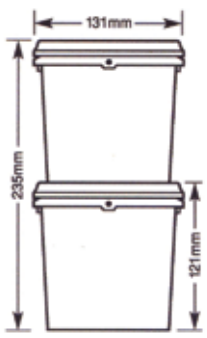
[www.viscountplastics.co.nz](http://www.viscountplastics.co.nz)



# TECHNICAL DRAWING

TOP PAIL RANGE

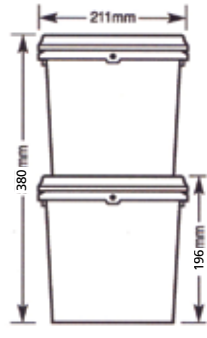
www.viscountplastics.co.nz



1 Litre	
Lid	Base
g/weight	
16	50

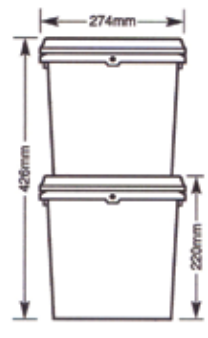


1.5 Litre	
Lid	Base
g/weight	
33	86

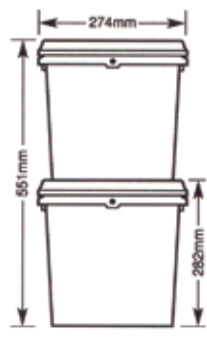


4 Litre	
Lid	Base
g/weight MOQ	
65	177

IML Base

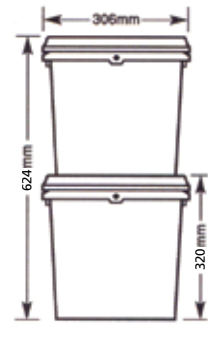


8 Litre	
Lid	Base
g/weight	
120	390

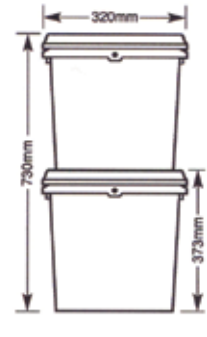


10 Litre	
Lid	Base
g/weight	
120	480

IML Base & Lid



15 Litre	
Lid	Base
g/weight	
180	640



20 Litre	
Lid	Base
g/weight	
188	830

## Viscount Inmould Labelling

Viscount Plastics' Inmould Labelling (IML) breaks free from the constraints of conventional decoration methods by introducing preprinted polymer labels into the moulding process to create a seamless fusion of label and rigid plastic packaging. The benefits are as practical as they are aesthetic.

Consult your Viscount Plastics representative where weights, volumes and dimensions are critical, as those shown should be treated as indicative only. (Viscount Plastics reserves the right to alter products shown at its discretion).

