

VISCOUNT EZY PAK



Developed as a freight-efficient food service product, the EZY Pak features the patented LIFTAB™ that allows easy, fingertip opening and provides evidence of unauthorised opening or tampering.

Quality polypropylene polymers and a smooth, clean design contribute to the smart retail presence of the EZY Pak. It is ideally suited to the packaging of high value food products and bulk items that require shelf presence.

Please consult Viscount Plastics where weights, volumes and dimensions are critical, as those shown should be treated as indicative only. (Viscount Plastics reserves the right to product alterations at their discretion).



Auckland
8 Vestey Drive,
Mt Wellington
PO Box 22462, Otahuhu
Auckland, New Zealand
Tel: +64 9 276 8679
Fax: +64 9 276 4392

Wellington
Level 2, 46-50
Bloomfield Terrace
PO Box 30238, Lower Hutt,
Wellington, New Zealand
Tel: +64 4 570 3328
Fax: +64 4 570 3329

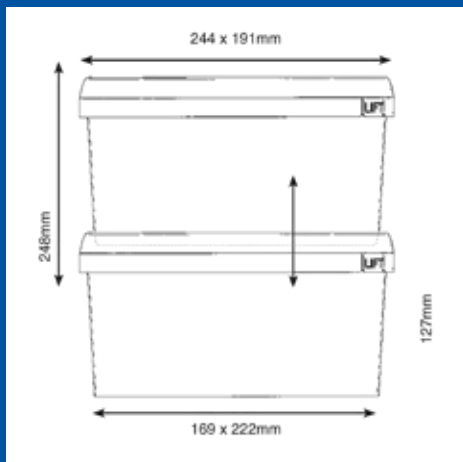
Christchurch
Cnr Brougham &
Gasson Streets
PO Box 7111,
Christchurch, New Zealand
Tel: +64 3 365 4382
Fax: +64 3 366 6026

EZY PAK

www.viscountplastics.co.nz

TECHNICAL SPECIFICATIONS

	Base	Lid
Overall Dimensions (mm)	125(H) x 245(L) x 192(W)	16.6 (H) x 244(L) x 191(W)
Nested Height (mm)	20	7
Weight (grams)	114	47
Material	Polypropylene	Polypropylene
Decoration (mm)	Embossed Side Walls Insert 100 x 30	Inmould label 210 x 156



Pack	
Pallet 1200 x 1000	30 per layer (6 x 5)
Max. Top Load	20kg at 23 degrees C
Capacity under lid	4.4 L

Features for the Viscount EZY Pak include:

- Tamper evident lid
- Patented LIFTTAB™
- Inmould label lid
- Customer branding on side wall
- Available in white, clear or colour

Features include manufacture under cleanroom conditions, embossed side walls (customer branding) and inmould label lid options.

