

VISCOUNT EZYCAN RANGE



A multi purpose food grade plastic can, originally designed for the paint industry. The EZY Can features the patented LIFTAB™ that allows easy, fingertip opening and provides evidence of unauthorised opening or tampering.

Quality foodgrade polypropylene polymers and a smooth, clean design contribute to the smart retail presence of the EZY Can. It is ideally suited to the packaging of high value products and bulk items that require shelf presence. Positive can to can location ensures stable stacking.



Auckland
8 Vestey Drive,
Mt Wellington
PO Box 22462, Otahuhu
Auckland, New Zealand
Tel: +64 9 276 8679
Fax: +64 9 276 4392

Wellington
Level 2, 46-50
Bloomfield Terrace
PO Box 30238, Lower Hutt,
Wellington, New Zealand
Tel: +64 4 570 3328
Fax: +64 4 570 3329

Christchurch
Cnr Brougham &
Gasson Streets
PO Box 7111,
Christchurch, New Zealand
Tel: +64 3 365 4382
Fax: +64 3 366 6026

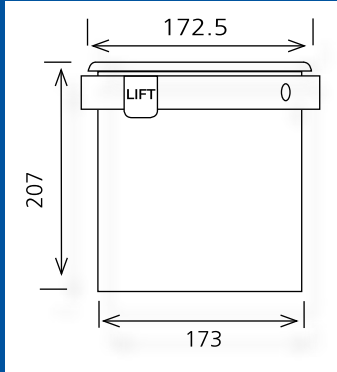
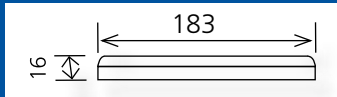
EZYCAN RANGE

www.viscountplastics.co.nz

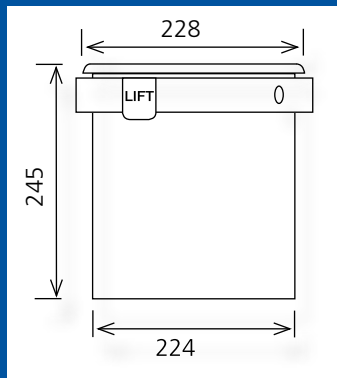
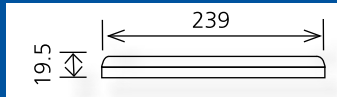


EZYCAN

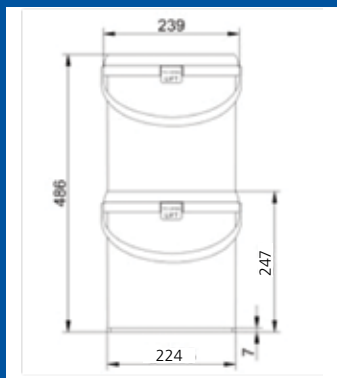
TECHNICAL SPECIFICATIONS



4 Litre Can	BASE	LID
Overall Dimension (mm)	207 (H) x 173 (Diam)	16 (H) x 183 (Diam)
Height (mm)	204.5	7.5
Weight (grams)	197 (Incl. Handle)	43
Material	Polypropylene	Polypropylene
Decoration (mm)	Labels - max. 174 (H)	Embossing max. 153 Diam.



8 Litre Can	BASE	LID
Overall Dimension (mm)	245 (H) x 173 (Diam)	19.5(H) x 183 (Diam)
Height (mm)	238	11
Weight (grams)	350 (Incl. Handle)	108
Material	Polypropylene	Polypropylene
Decoration (mm)	Labels - max. 174 (H)	Embossing max. 153 Diam.



8 Litre EZYCan Stack

Features include, large surface area for customer branding, embossing, and a comfortable ergonomically designed plastic handle.

Consult your Viscount Plastics representative where weights, volumes and dimensions are critical, as those shown should be treated as indicative only. (Viscount Plastics reserve the right to alter products at its discretion).